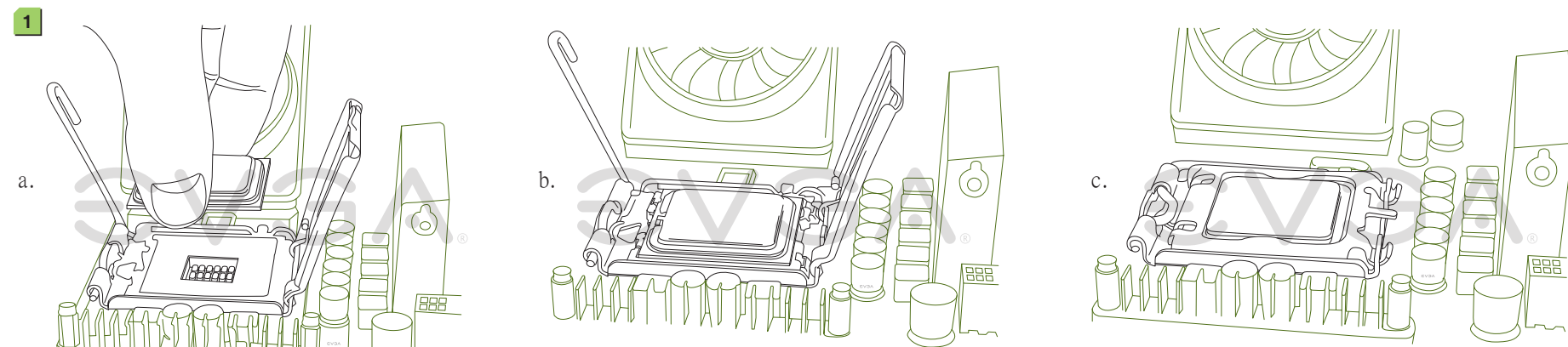


## EVGA nForce 780i SLI FTW Visual Guide

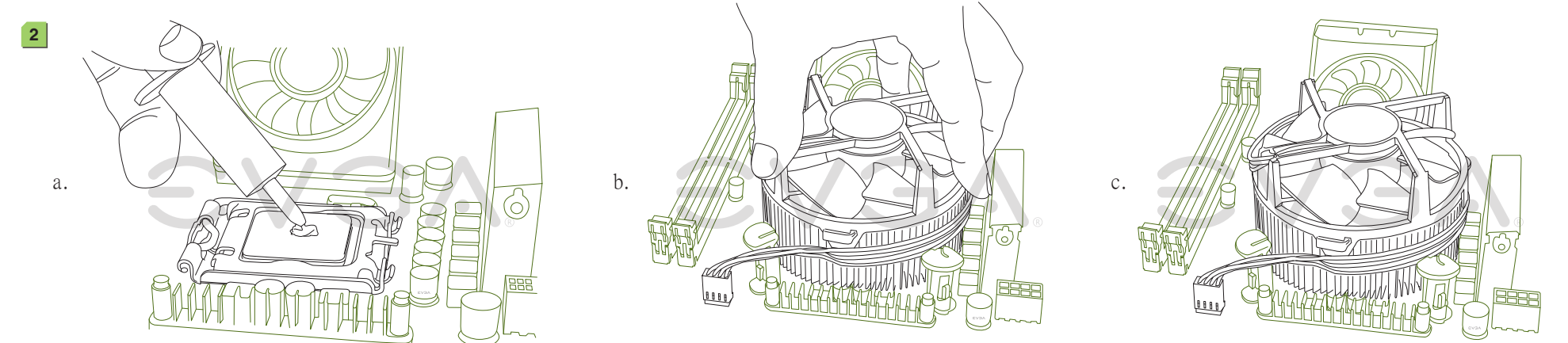
The following quick steps will guide you through testing the absolute bare minimum essentials of your motherboard before installing it into a system chassis. Visual aids are provided to assist you during the following procedures.

To reduce the risk of fire, electric shock, and injury always follow basic safety precautions. It is recommended that you use electrostatic discharge (ESD) countermeasures such as an ESD wrist strap or anti-static mat when handling computer components.

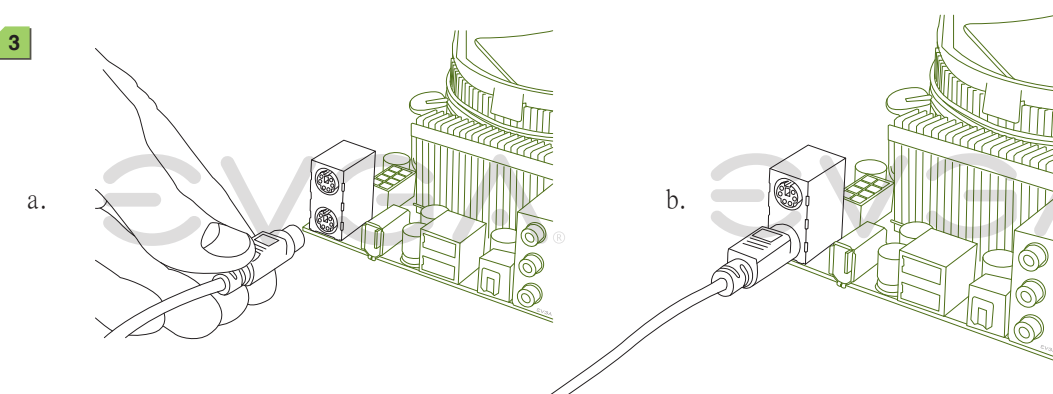
After removing the EVGA nForce 780i SLI FTW from its packaging, place it on to a nonconductive surface. For example: wood, cardboard box, or an anti-static mat.



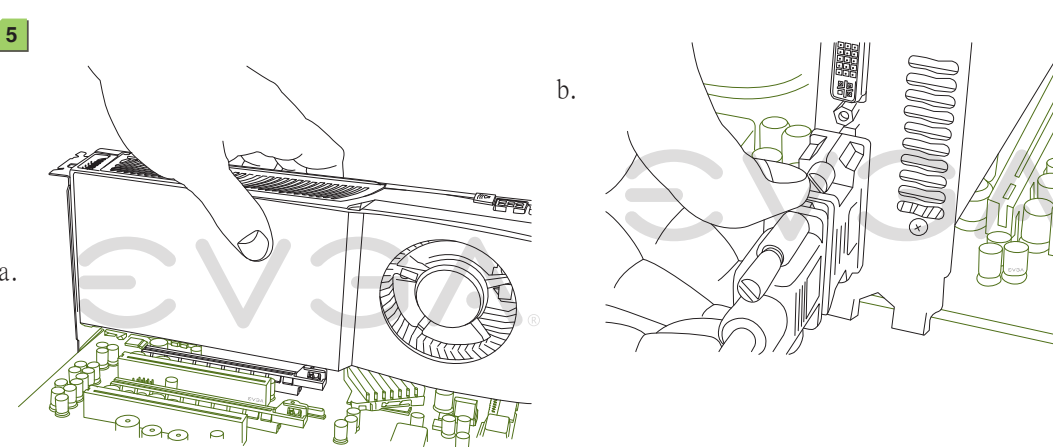
1. Unhook the socket lever and lift up the load plate. Remove the LGA 775 protective cover and carefully install your Intel processor making sure to properly align the notches. Close the load plate and with light pressure, lower the socket lever back in to its original position.



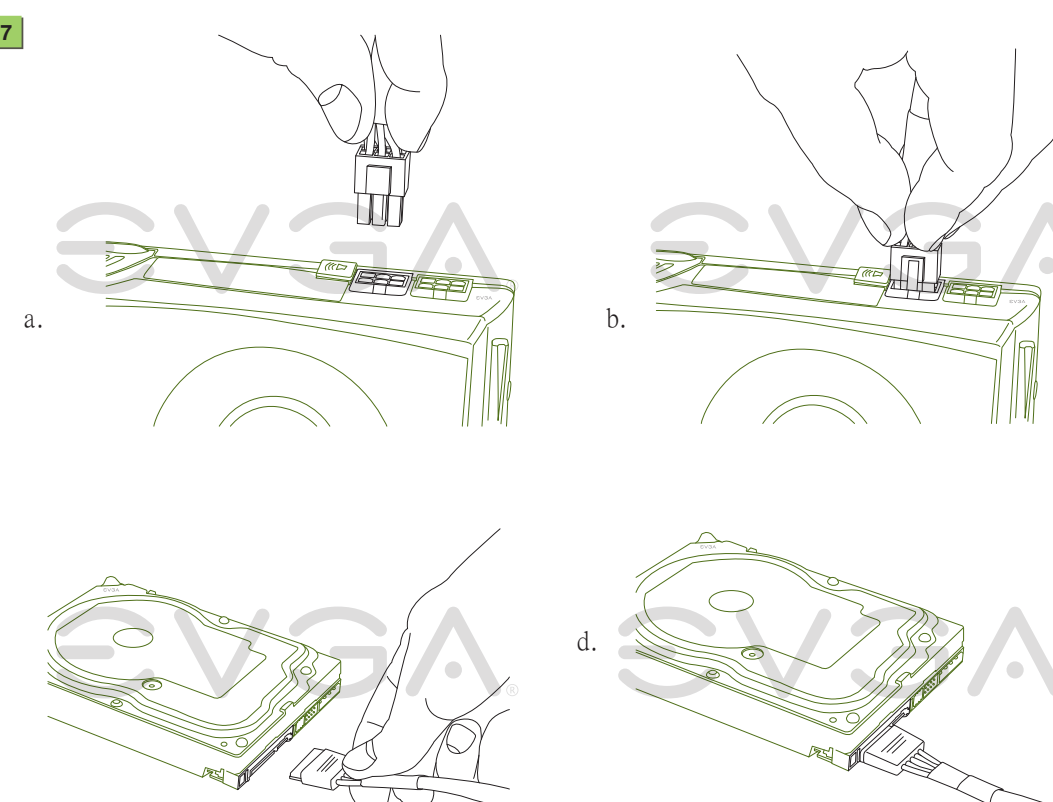
2. Apply a small, pea-sized drop of thermal paste on to the middle of the processor. Install your processor heatsink and fan.



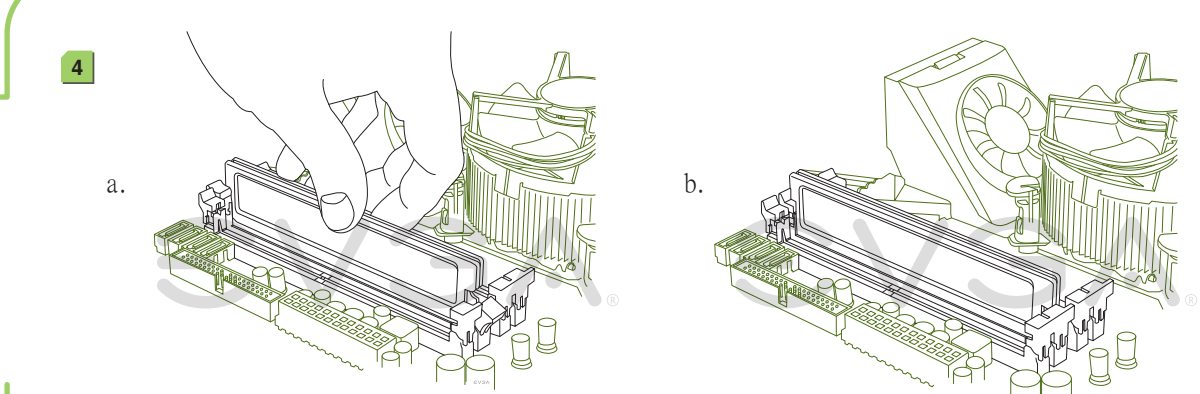
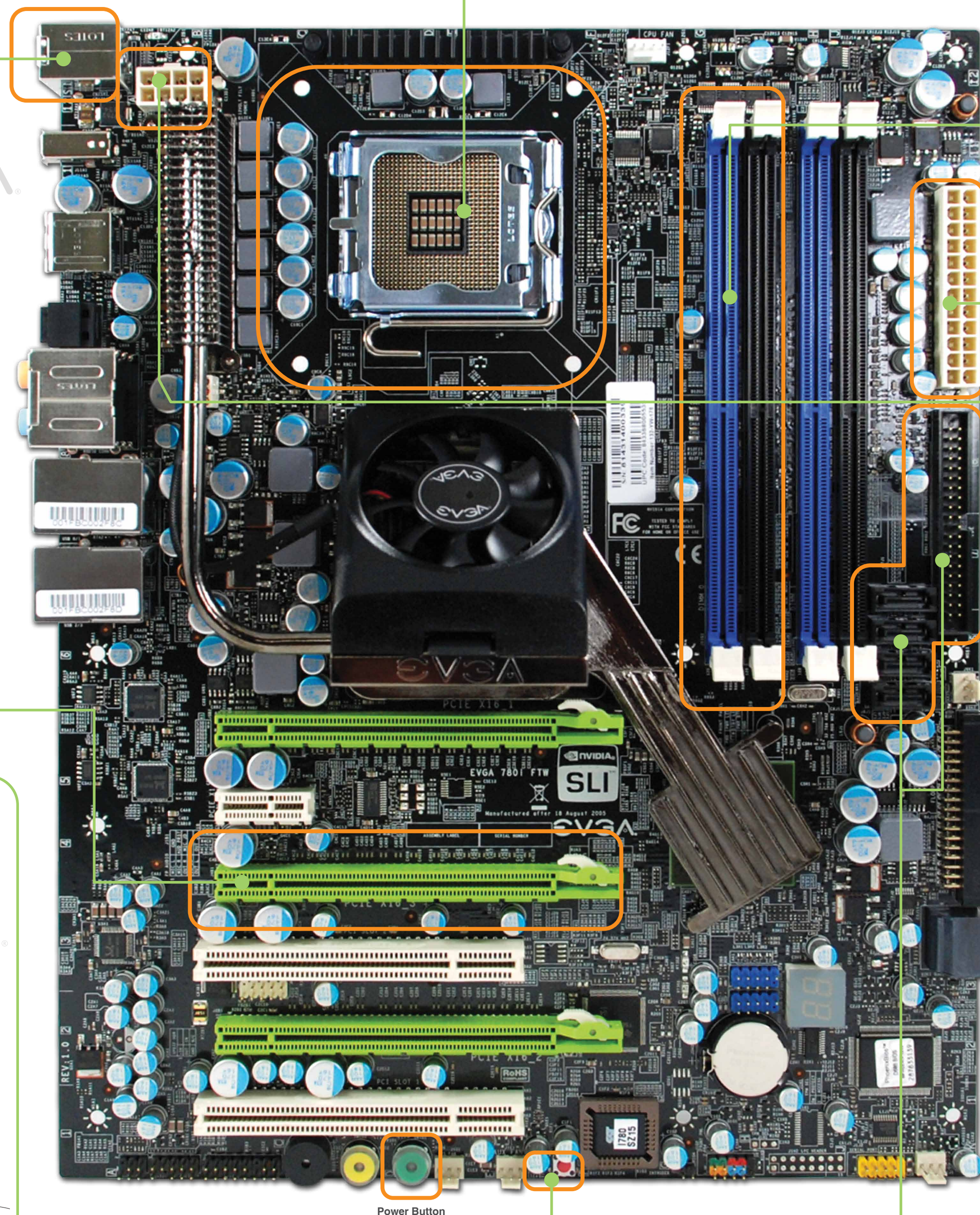
3. Plug in one keyboard into a USB port or PS/2 port.



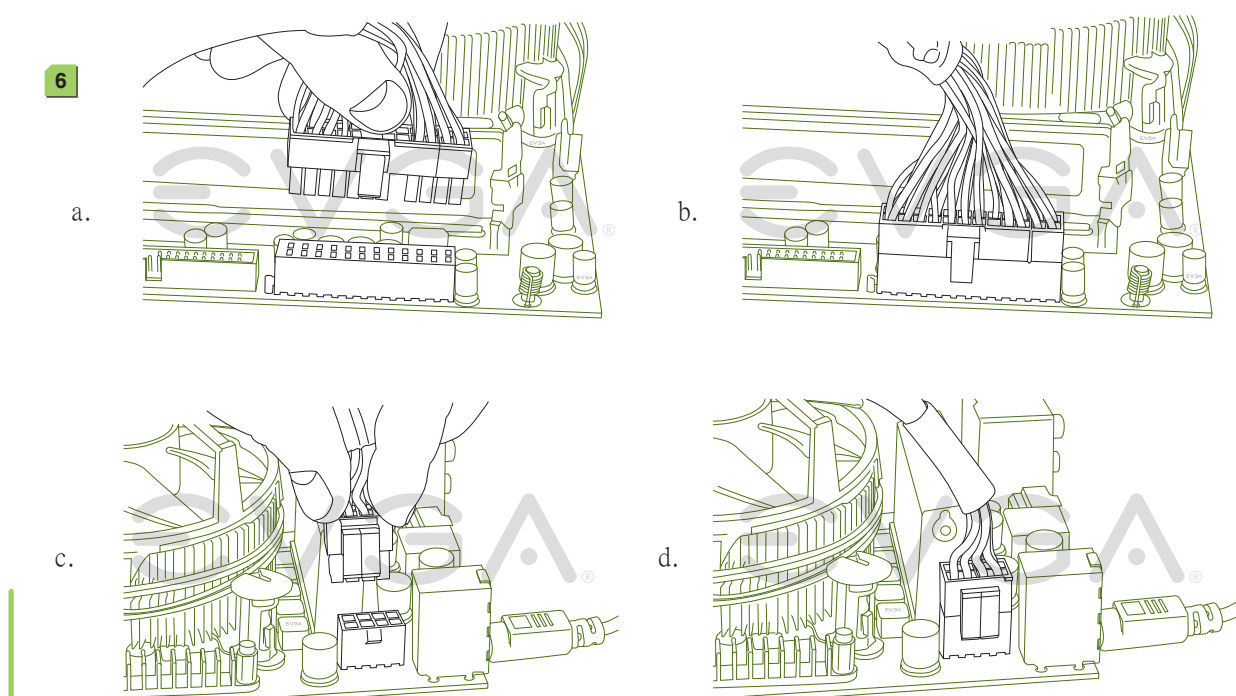
5. Insert your graphics card into either the PCI-E 2.0 slot or the PCI slot. The type of slot depends on the graphic card bus type. Connect a monitor to the output connector of the graphics card.



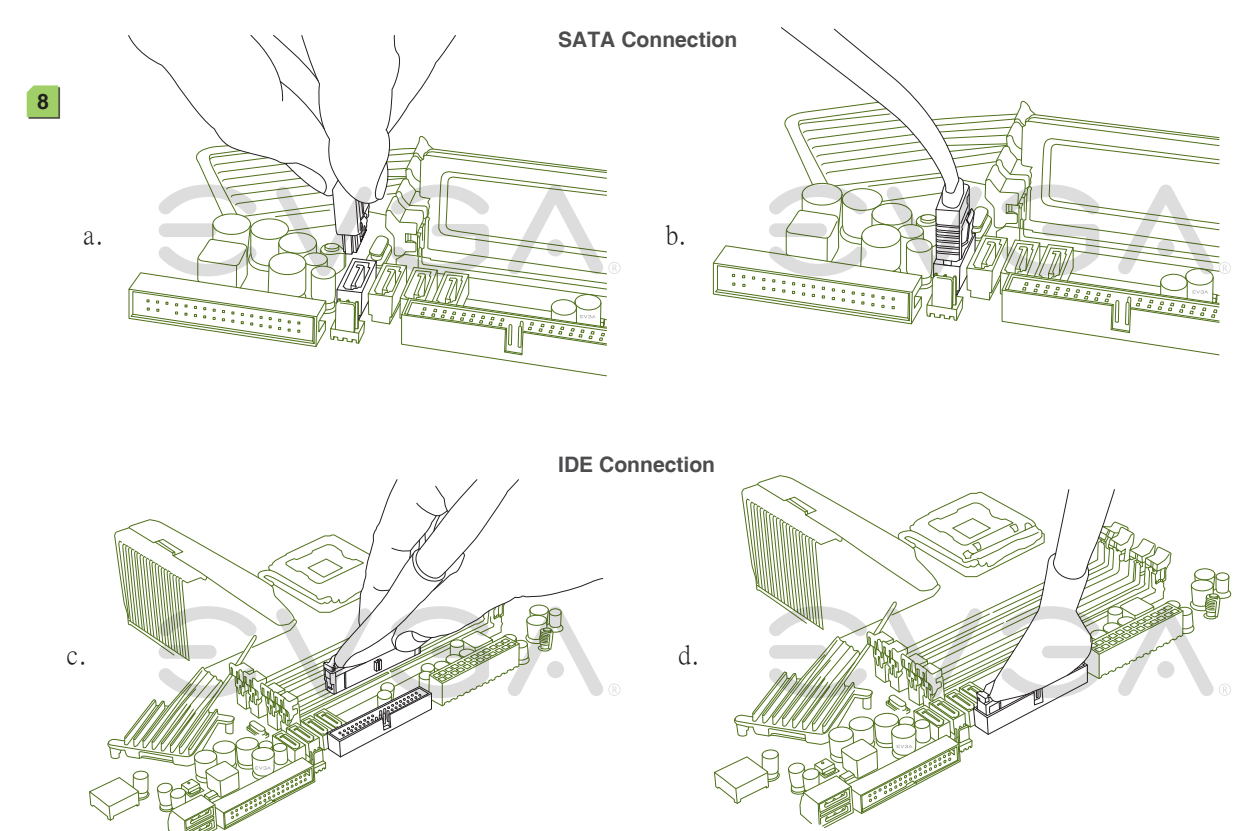
7. Plug in power connectors to both the graphics card and the hard disk drive. Power connector types will vary depending on the hard disk drive and graphic card's power requirements.



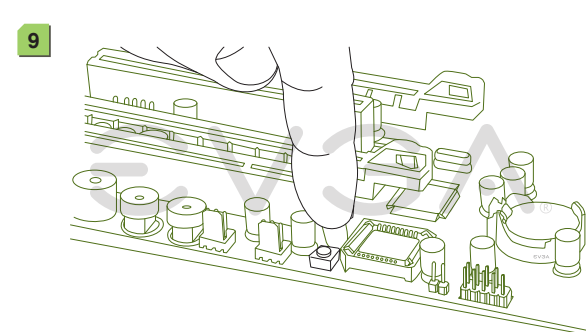
4. Install one stick of system memory (DIMM) into the DIMM slot of your choice.



6. Make sure your power supply's power switch is in the OFF position then connect your 24-Pin ATX Power Connector and 8-Pin CPU Power Connector to the motherboard.



8. Connect one hard drive disk to either one of the SATA Connectors or to the IDE Connector depending on the hard disk drive connection type.



9. On the power supply, flip the power switch to the ON position. LEDs will now be lit on the motherboard. Press the onboard Clear CMOS button once then press the green Power Button to begin powering up the system.

At this final stage, you should now be greeted with the POST screen on your monitor.



**STEP 1 - Install CPU**

1. Unlock the socket by pressing the lever sideways, then lift it up to a 90o angle.
2. Lift the load plate. There is a protective socket cover on the load plate to protect the socket when there is no CPU installed.
3. Remove the protective socket cover from the load plate. (Save this protective piece, as it is needed whenever transporting or shipping the motherboard.)
4. Align the notches in the CPU with the notches on the socket.
5. Lower the CPU straight into the socket. Close the lid plate and engage the socket lever.
6. The CPU will need a proper cooling solution, please refer to the manual that came with your heatsink for detailed instructions.

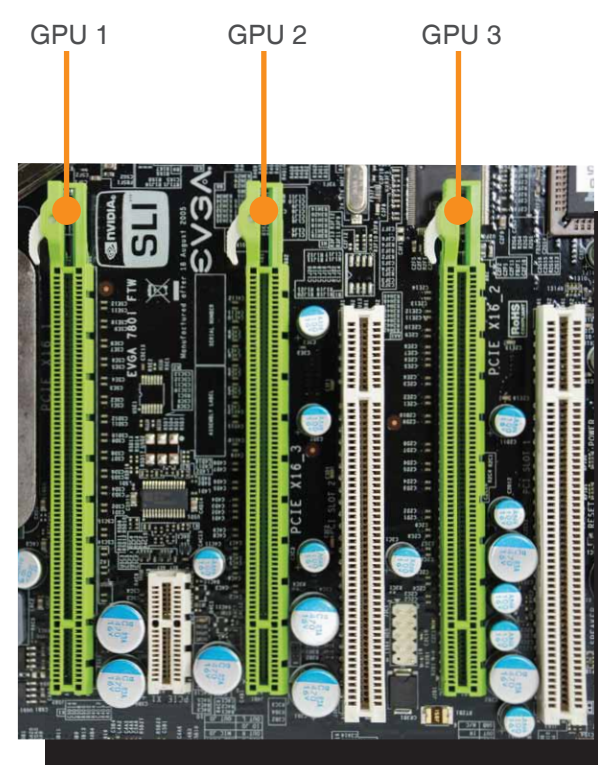


**STEP 2 - Install Memory**

1. This motherboard supports up to four 240-pin memory modules. Having matched pairs is highly recommended for dual channel configurations.
  2. For dual channel configurations use DIMM slots 0 and 1, 2 and 3, or 0 through 3.
- \* Use matching color slots for dual channel

**STEP 3 - Install Graphics Card(s)**

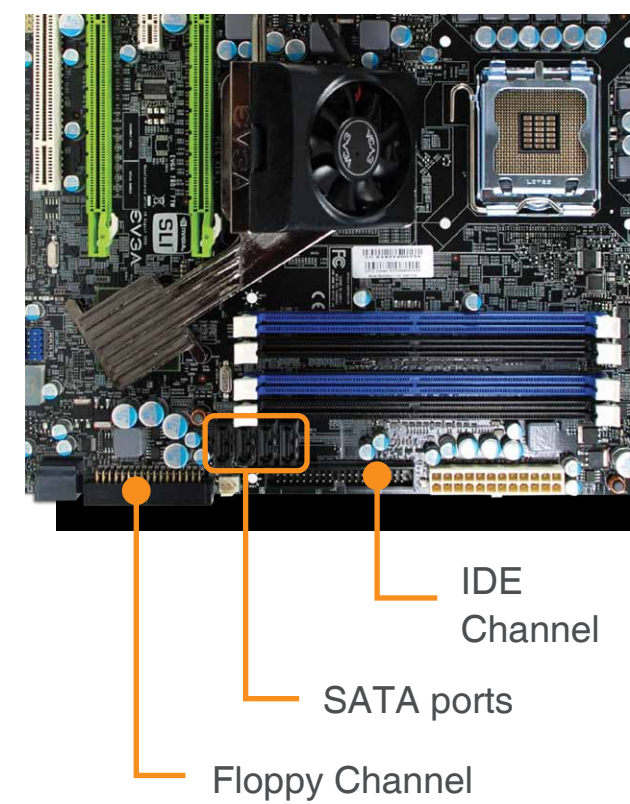
1. This motherboard has three PCI Express X16 slots. If you are installing a single graphics card use the PCI-E slot closest to the CPU socket.



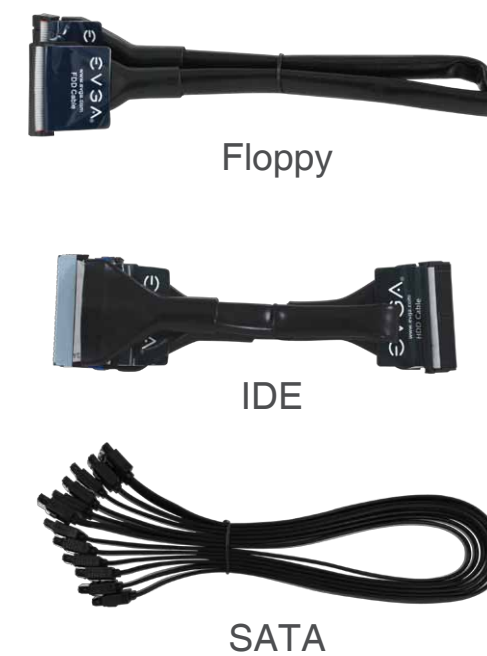
(Three) PCI Express X16 slots.

**STEP 4 - Connect Peripherals**

1. Now connect your peripheral devices such as hard drives, floppy drive, and DVD-ROM drives to the motherboard.



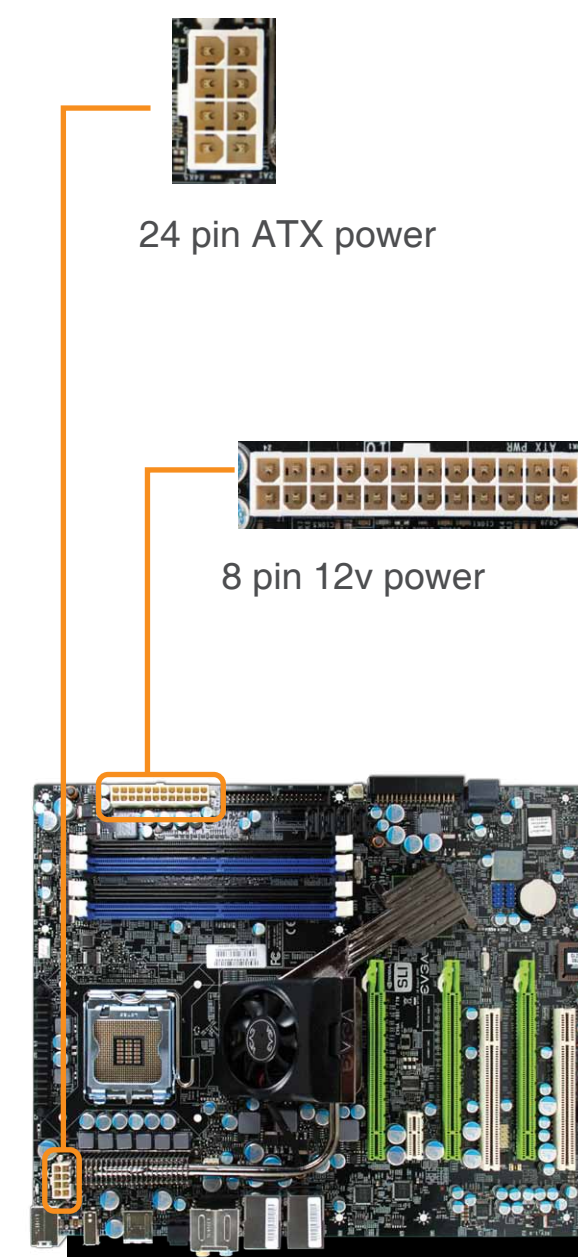
**Cables**



**STEP 5 - Connect power cables**

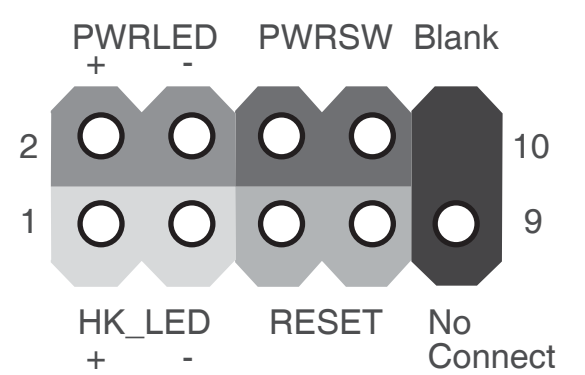
1. Next you will connect power cables to the motherboard and any other peripherals in your system.

\* Remember to plug in your 6 or 8 pin PCI-E power cables to your graphics card(s) if necessary.



**STEP 6 - Connect Headers**

1. Connect the front panel headers and any other headers that are going to be in use.



Connector	Pin	Signal
IEEE 1394a Connector	1	TPA+
	2	TPA-
	3	GND
	4	GND
	5	TPB+
	6	TPB-
	7	+12V
	8	+12V
	9	Empty
	10	GND

Connector	Pin	Signal	Pin	Signal
USB 2.0 Header Connector	1	5V_DUAL	2	5V_DUAL
	3	D-	4	D-
	5	D+	6	D+
	7	GND	8	GND
	9	Empty	10	No Connect
	10			
	8			
	6			
	4			

Connector	Pin	Signal
Front Audio Connector	1	PORT1_L
	2	AUD_GND
	3	PORT1_R
	4	PRECENCE_J
	5	PORT2_R
	6	SENSE1_RETURN
	7	SENSE_SEND
	8	Empty
	9	PORT2_L
	10	SENSE2_RETURN

Thank you for purchasing an EVGA product. Please remember to register your product at: <http://www.evga.com/register>

For the latest drivers and updates for your product please visit: <http://www.evga.com/support/drivers>

To visit and search our knowledge base and product FAQ please visit: <http://www.evga.com/FAQ>

To visit the EVGA community message boards please visit: <http://www.evga.com/forums>

**Advanced RMA**  
Stepping-Up Your Customer Service

**Limited Lifetime Warranty**  
upon product registration

**90Day Step-Up Program**



For more information about these services as well as our terms and conditions please visit [www.evga.com](http://www.evga.com)



**24/7\***  
Tech Support  
888 · 881 · EVGA  
714 · 528 · 4500  
[www.evga.com/support](http://www.evga.com/support)  
\*24/7 North America only

\*Not all Premium Services apply to all products.

