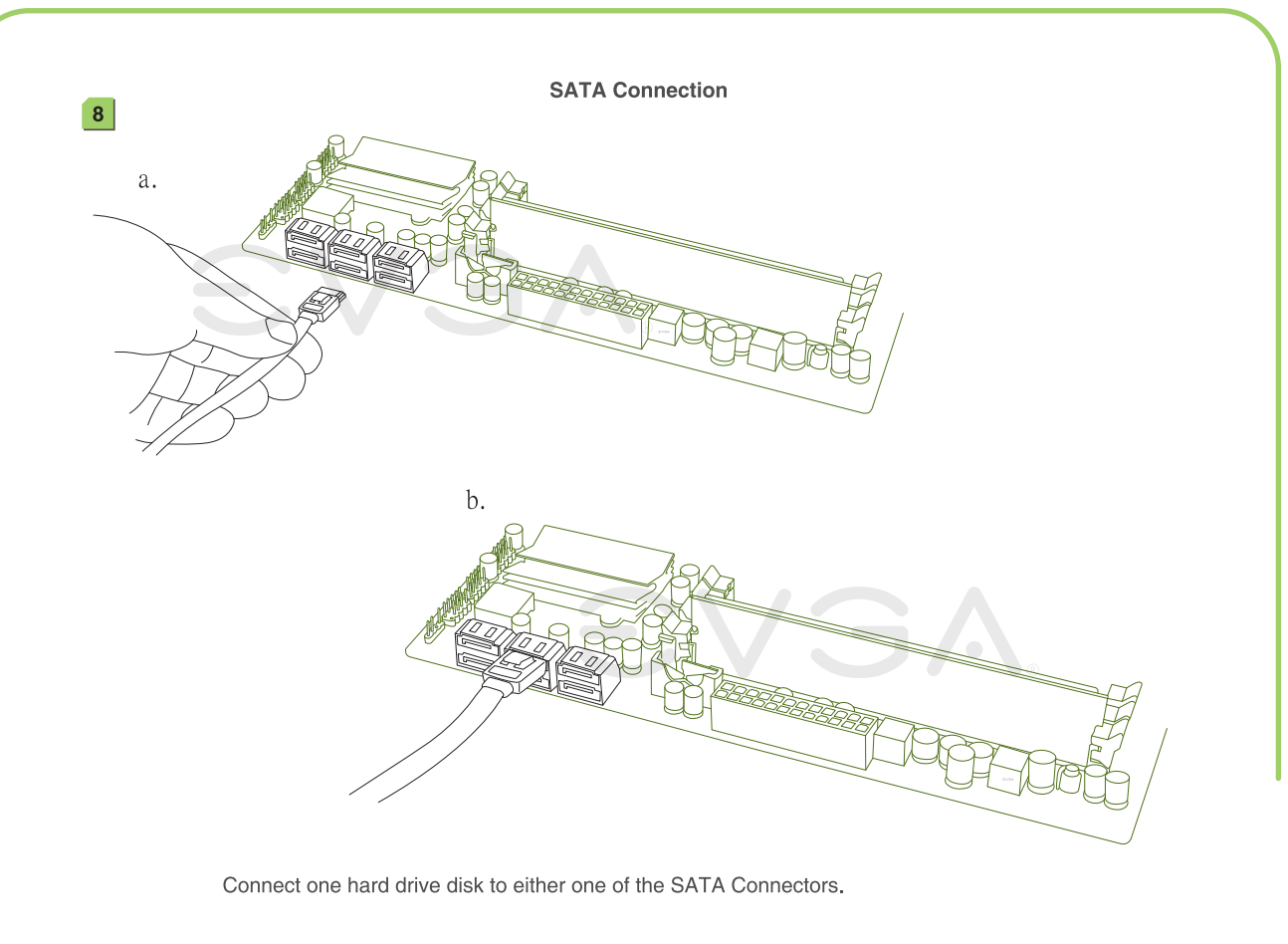
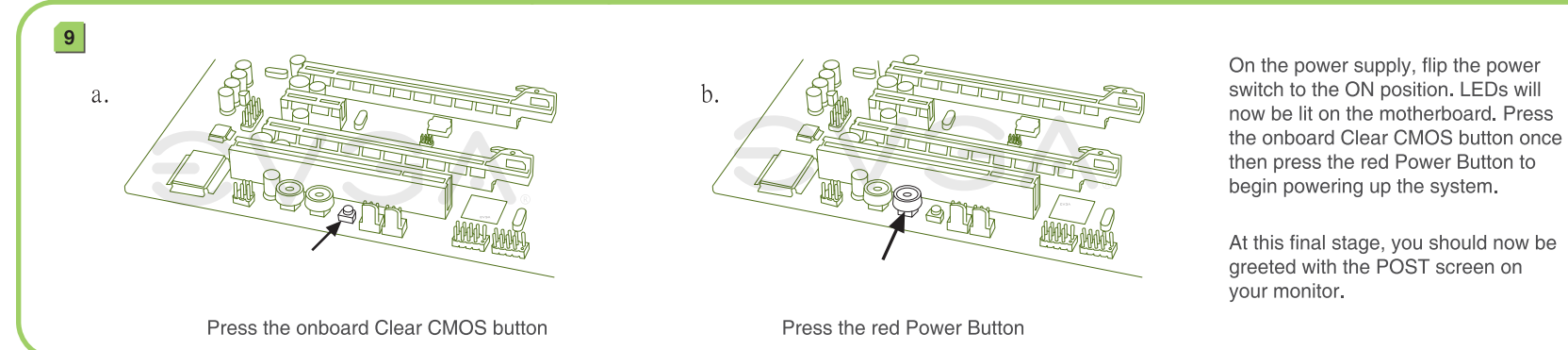
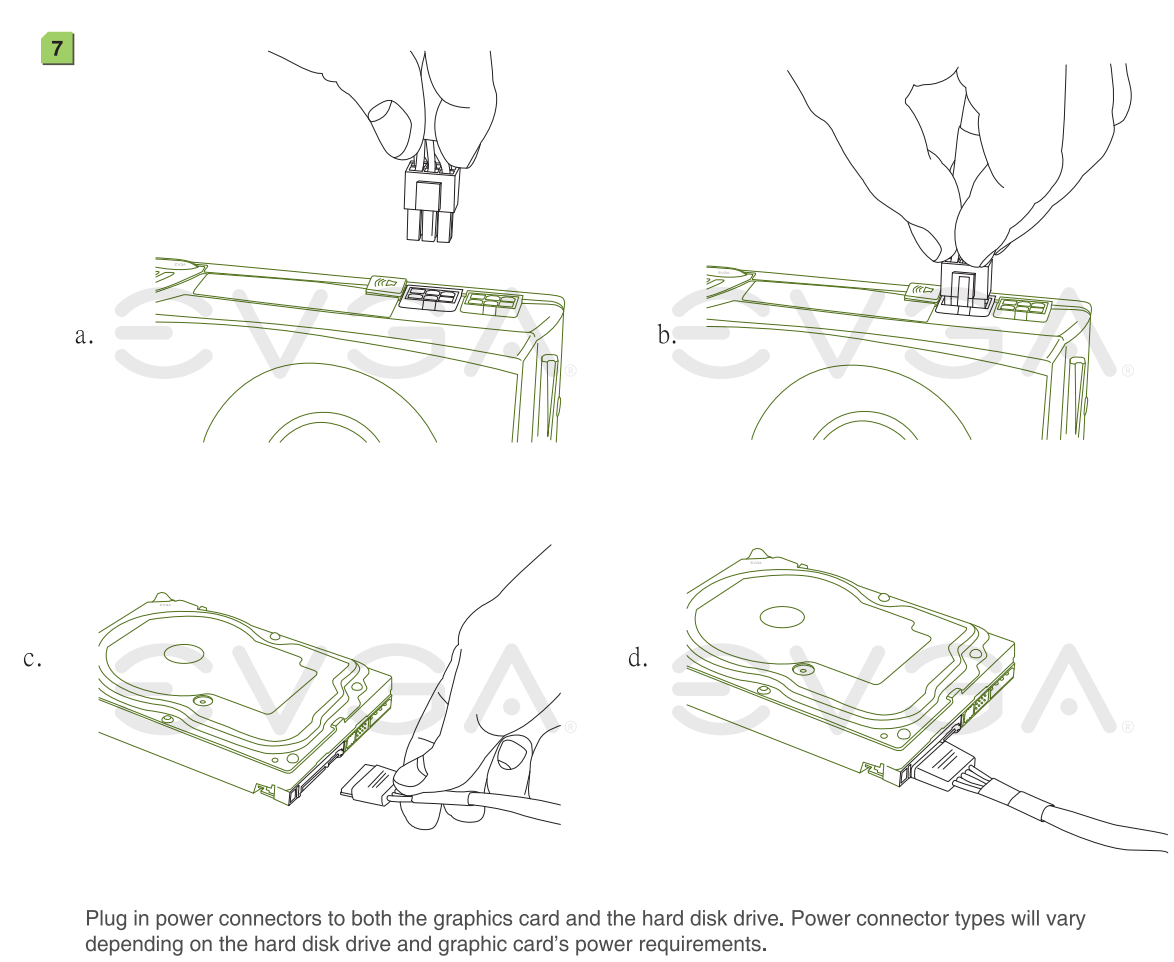
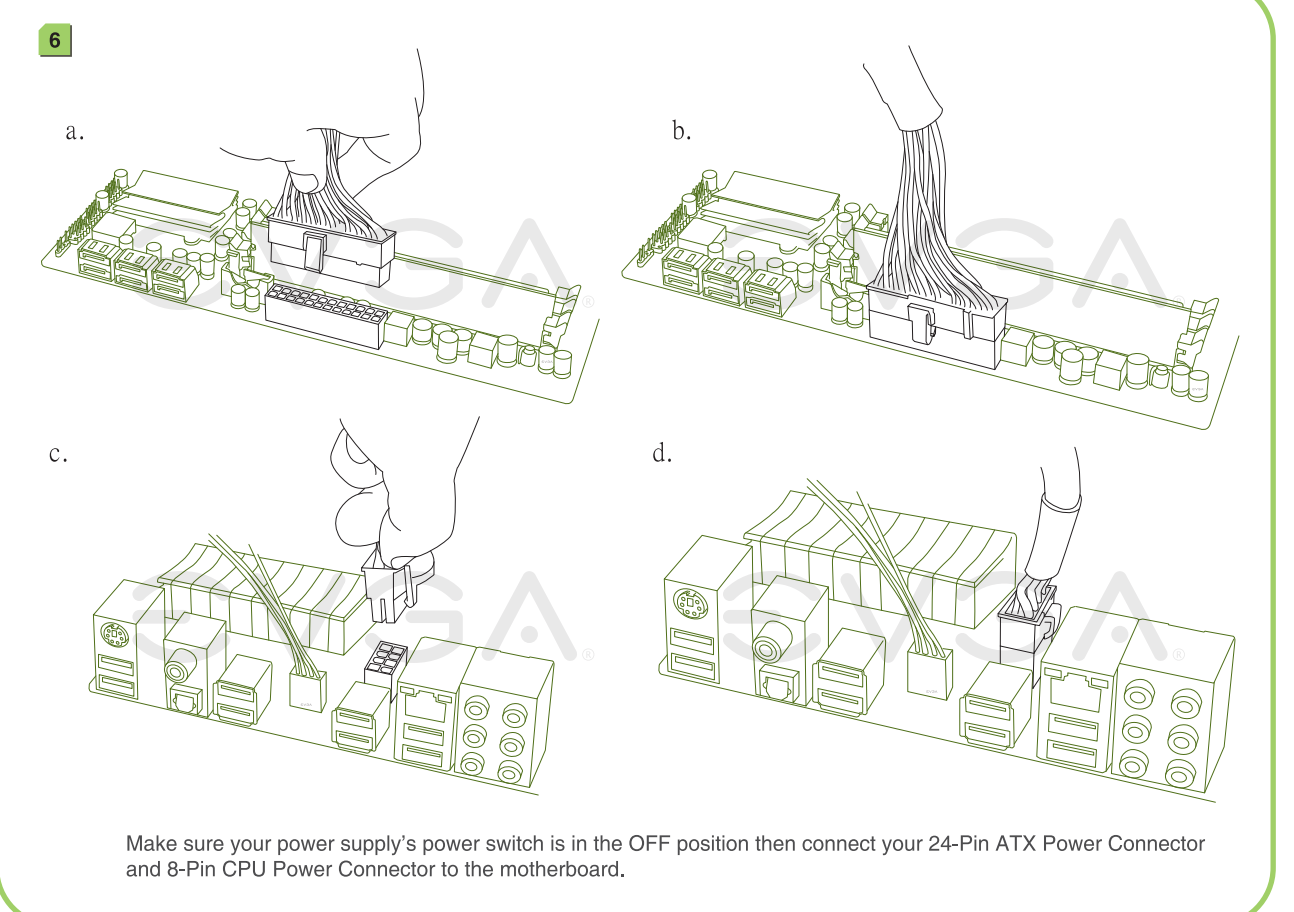
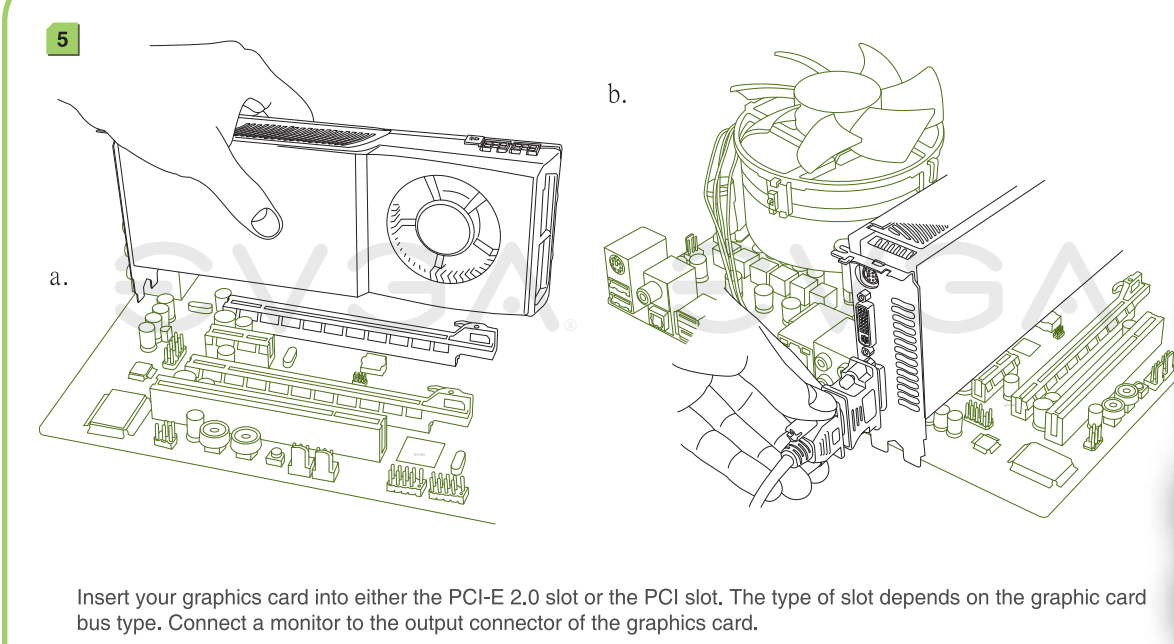
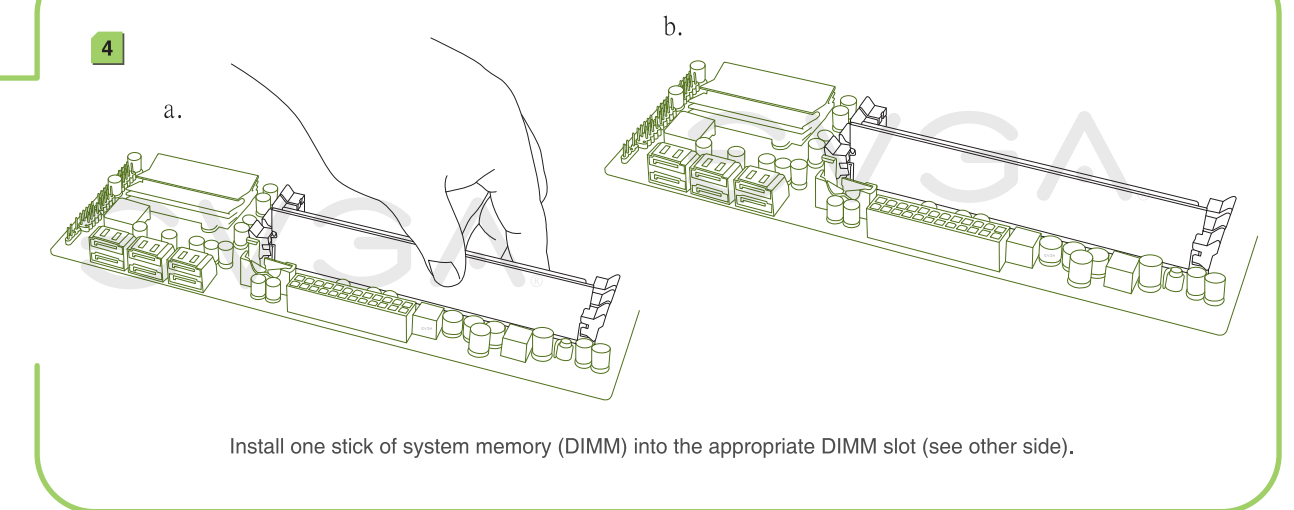
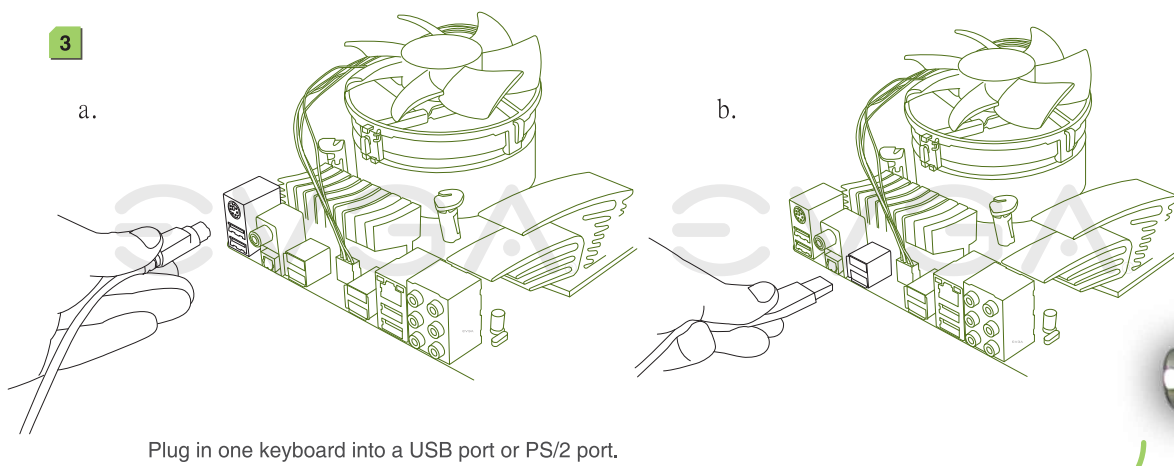
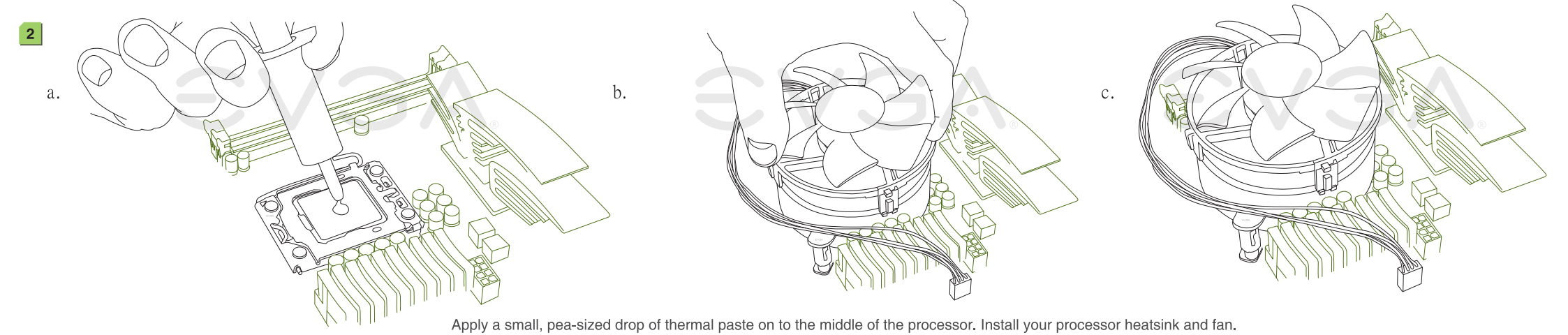
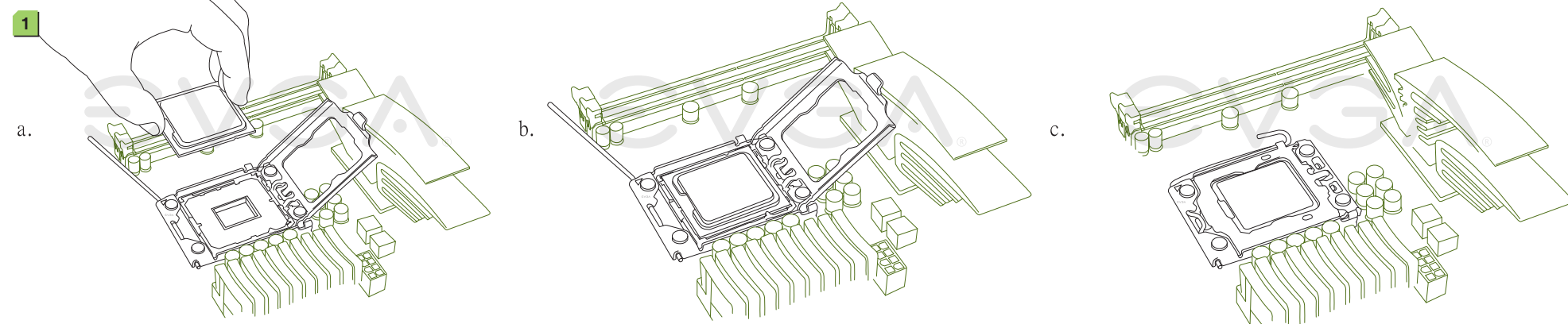


# EVGA X58 SLI Micro VISUAL GUIDE

The following quick steps will guide you through testing the absolute bare minimum essentials of your motherboard before installing it into a system chassis. Visual aids are provided to assist you during the following procedures.

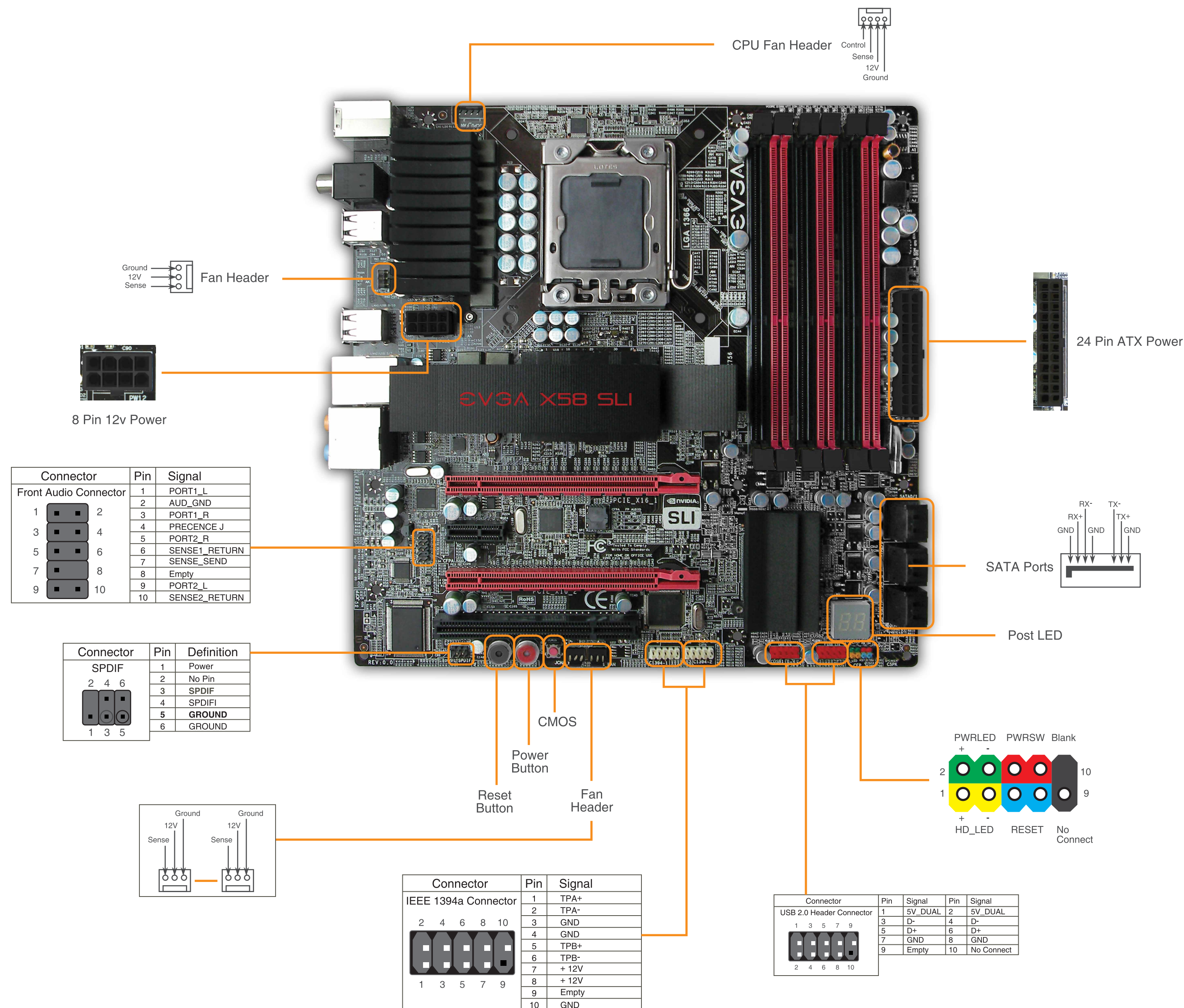
To reduce the risk of fire, electric shock, and injury always follow basic safety precautions. It is recommended that you use electrostatic discharge (ESD) countermeasures such as an ESD wrist strap or anti-static mat when handling computer components.

After removing the EVGA X58 SLI<sup>®</sup> Micro from its packaging, place it on to a nonconductive surface. For example: wood, cardboard box, or an anti-static mat.

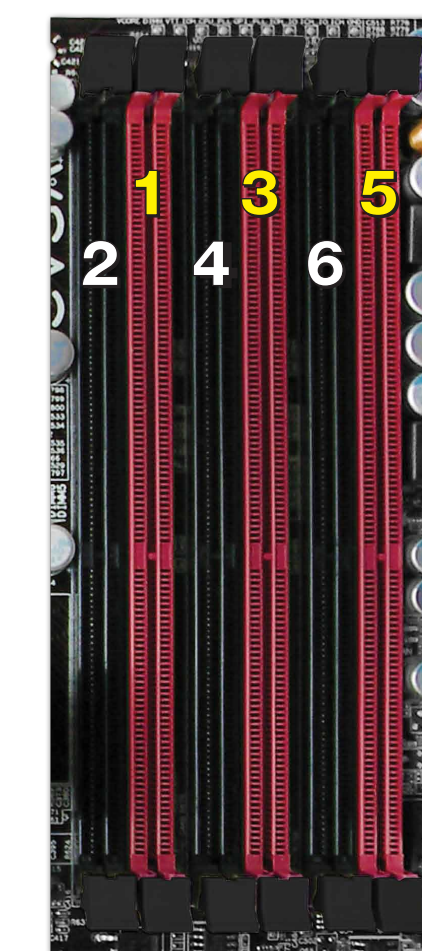


# EVGA X58 SLI Micro VISUAL GUIDE

Please see the manual for more details.



1. PS/2 Keyboard Port
2. USB 2.0 Ports
3. Coaxial SPDIF Output
4. Optical SPDIF Output
5. LAN Ports (10/100/1000)
6. Audio Ports



- **One DIMM:** If using 1 DIMM (Single Channel), install into: **DIMM slot 1.**
- **Two or Four DIMMs:** If using 2 DIMMs (Dual Channel), install into: **DIMM slots 1 and 3.** If using 4 DIMMs (Dual Channel), install into: **DIMM slots 2, 1, 4, and 3.**
- **Three DIMMs:** If using 3 DIMMs (Triple Channel), install into: **DIMM slots 1, 3, and 5.**
- **Six DIMMs:** If using more than 4 DIMMs, use: **DIMM slots 2, 1, 4, and 3** then proceed to occupy the following DIMM slots in this order: **5 and 6.**

**ATTENTION:**

EVGA recommends applying **1.65V** or less when setting the DIMM Voltage. This will support long term stability.

## EVGA Premium Services

**Advanced RMA:**

Protect yourself and accelerate the RMA process.  
[www.evga.com/EAR](http://www.evga.com/EAR)

**1+1 Warranty:**

Register the purchased product within 30 days to receive 2 year warranty.  
[www.evga.com/warranty](http://www.evga.com/warranty)

**MODS RIGS:**

Show off your rig, post your specs, submit your score, and win big.  
[www.modsrigs.com](http://www.modsrigs.com)

## EVGA Software

**E-LEET:**

Easily push the boundaries of your hardware with this exclusive tuning utility.  
[www.evga.com/eleet](http://www.evga.com/eleet)

## EVGA Support

**24/7 Support**

888-881-EVGA '27/7 North America only  
[www.evga.com/24-7](http://www.evga.com/24-7)

Thank you for purchasing an EVGA product. Please remember to register your product at:  
[www.evga.com/register](http://www.evga.com/register)

For the latest drivers and updates for your product please visit:  
[www.evga.com/support/drivers](http://www.evga.com/support/drivers)

To visit and search our knowledge base and product FAQ please visit:  
[www.evga.com/FAQ](http://www.evga.com/FAQ)

To visit the EVGA community message boards please visit:  
[forums.evga.com](http://forums.evga.com)

For more information about these services as well as our terms and conditions please visit  
[www.evga.com](http://www.evga.com)